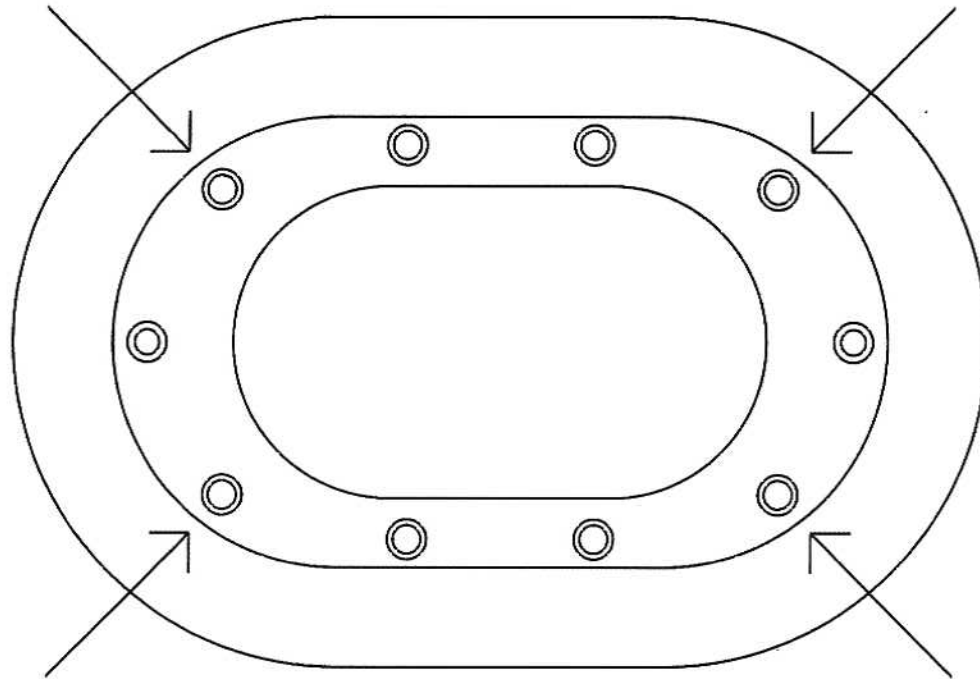


MILWAUKEE EIGHT



To remove front plate, you will need to remove these bolts

We suggest using a light thread lock on these

TWIN CAM FBW

